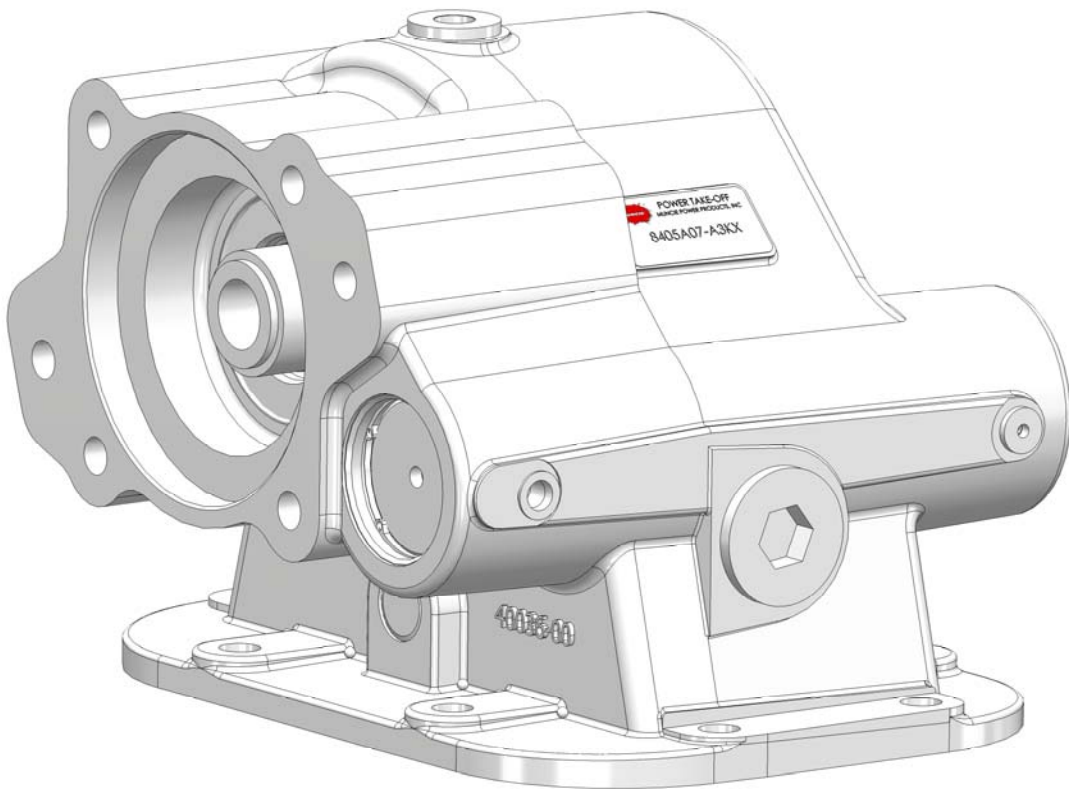


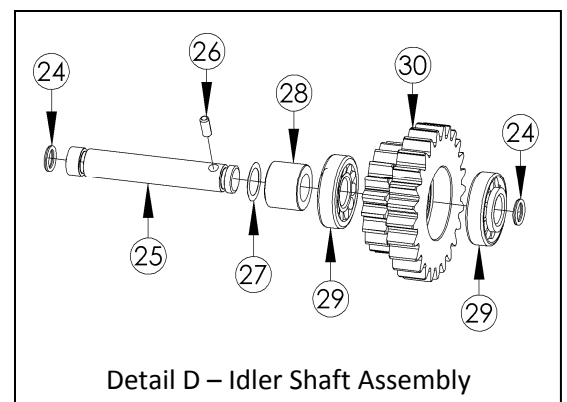
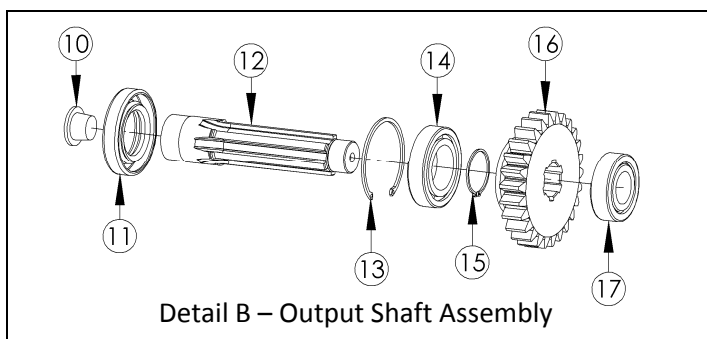
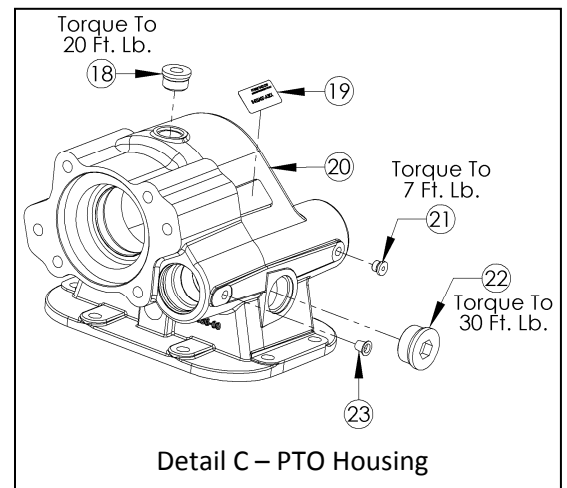
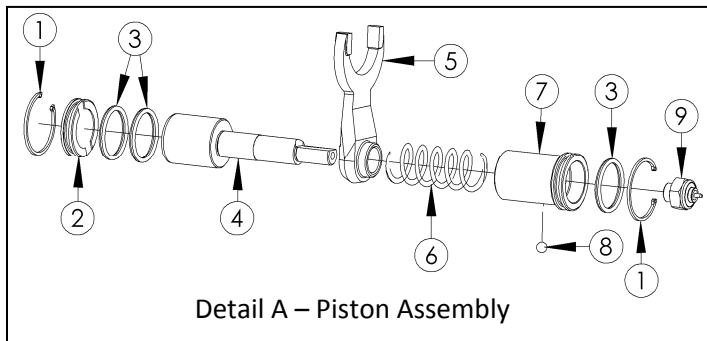
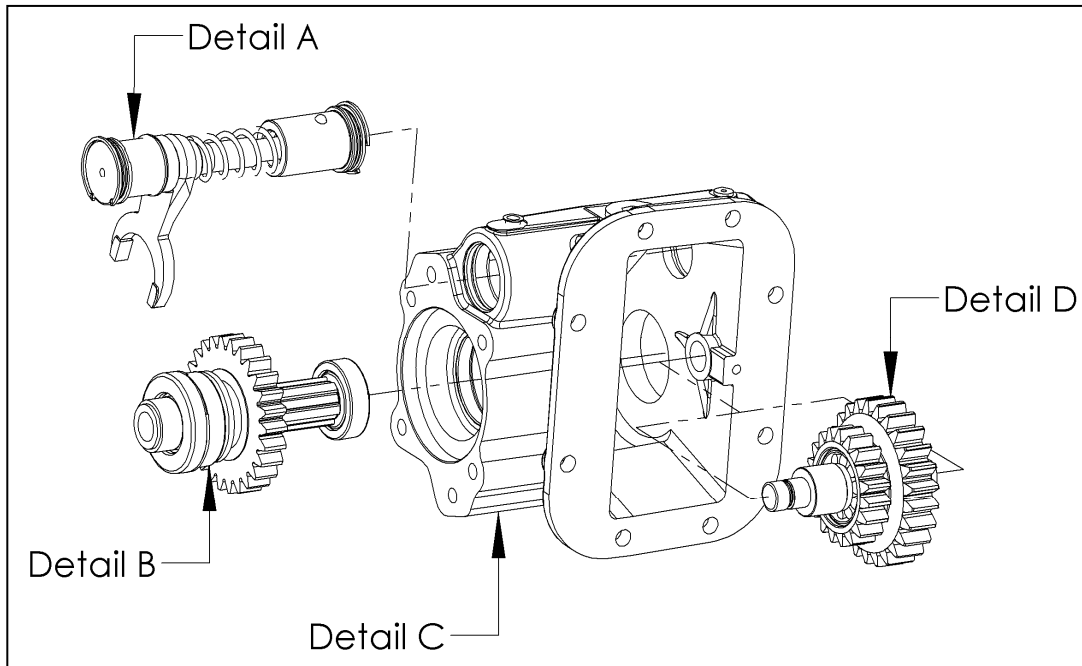


8405/6A Series PTO

Parts List and Service Manual



8405/6A - Exploded Views



Parts List and Description

ITEM	QTY	PART NO	DESCRIPTION	ITEM	QTY	PART NO	DESCRIPTION
01	2	24T40067	Snap Ring	17	1	10T21042	Bearing
02	1	16T39433	Cover Plug	18	1	25T35516	Plug
03	3	12T40068	O-Ring	19	1	36MCL100	Nameplate
04	1	49T39434	Piston	20	1	01T39457	PTO Housing
05	1	28T40070	Shift Fork	21	1	25T40652	Plug
06	1	27T40071	Spring	22	1	25T40078	Plug
07	1	49T39432	Cover	23	1	25T34029	Plug
08	1	10T40072	Ball 5/16"	24	2	12T37037	O-Ring
09	1	30T38111	Indicator Switch (Shipped Loose)	25	1	07T39435	Idler Shaft
10	1	25T35724	"K" Shaft Caplug	26	1	26T36175	Roll Pin 1/4" x 5/8"
	1	25T35725	"P" Shaft Caplug	27	1	See Chart	Spacer* (Chart 2 Below)
11	1	11T39278	Seal 35x62x8	28	1	18T39456	Spacer
12	1	See Chart	Output Shaft (Chart 1 Below)	29	2	10T40073	Cone & Race Set
13	1	24T40065	Snap Ring	30	1	See Chart	Input Gear (Chart 1 Below)
14	1	10T40064	Bearing	N.S.	1	26T01627	Key ('B' Shaft Only)
15	1	24T40066	Snap Ring	N.S.	1	8405-GSK	Gasket and Seal Kit (Includes items: 3, 11 & 24)
16	1	See Chart	Output Gear (Chart 1 Below)	N.S.	1	8505-RBK	Rebuild Kit (Includes items: 1, 3, 6, 11, 13, 14, 15, 17, 24, 26 & 29)

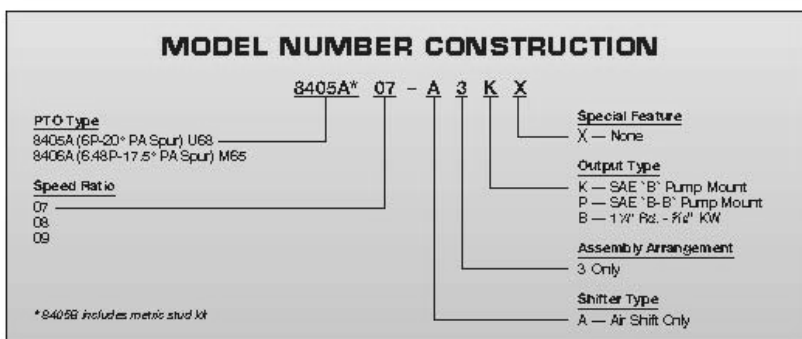
Chart 1 - Gear and Shaft for PTO

PTO Model	Output Shaft (Item 12)	Output Gear (Item 16)	Teeth (Item 16)	Input Gear (Item 30)	Teeth (Item 30)
8405A07 - A3KX	06T39430	02T39442	26	03T39436	25/19
8405A08 - A3KX	06T39430	02T39441	25	03T39439	25/21
8405A09 - A3KX	06T39430	02T39440	24	03T39437	25/24
8406A07 - A3KX	06T39430	02T39442	26	03T39438	27/19
8405A07 - A3PX	06T39431	02T39442	26	03T39436	25/19
8405A08 - A3PX	06T39431	02T39441	25	03T39439	25/21
8405A09 - A3PX	06T39431	02T39440	24	03T39437	25/24
8406A07 - A3PX	06T39431	02T39442	26	03T39438	27/19
8405A07 - A3BX	06T40481	02T39442	26	03T39436	25/19
8405A08 - A3BX	06T40481	02T39441	25	03T39439	25/21
8405A09 - A3BX	06T40481	02T39440	24	03T39437	25/24

Chart 2 – Spacer Shims*

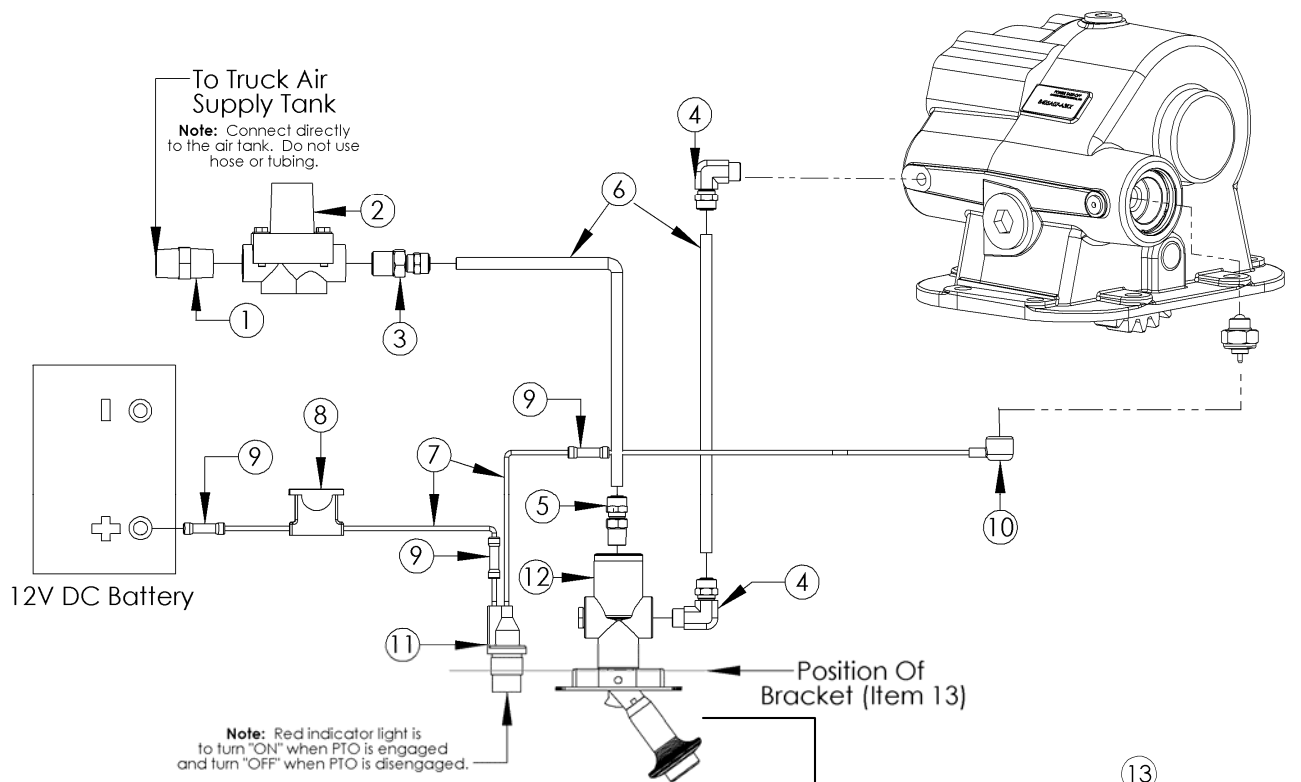
Spacer/Shim	Dimensions (mm)
18T40074	20 x 28 x 0.20
18T40075	20 x 28 x 0.30
18T40076	20 x 28 x 0.50

*Use shims as required to set end play in gear to 0.002"-0.005".

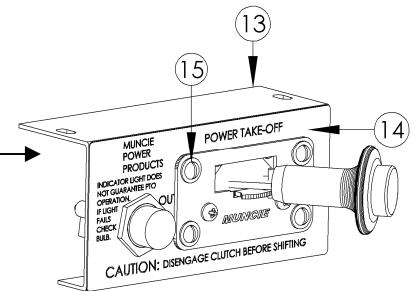


P – Less Activation Kit

8405/6A Series Standard Air Shift System "A" 48M61250-A (12V Light)



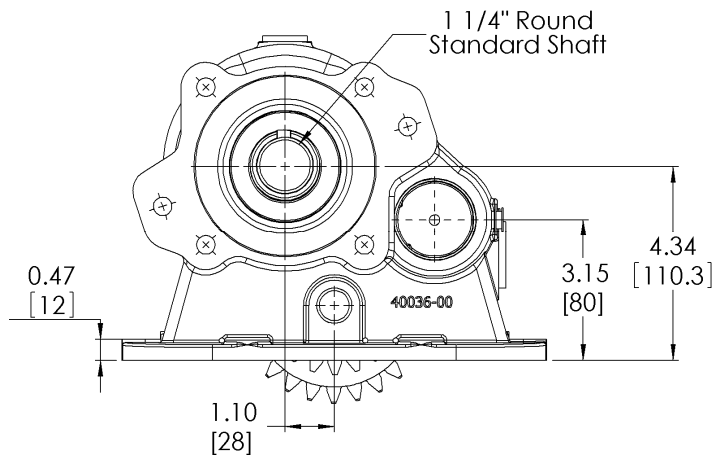
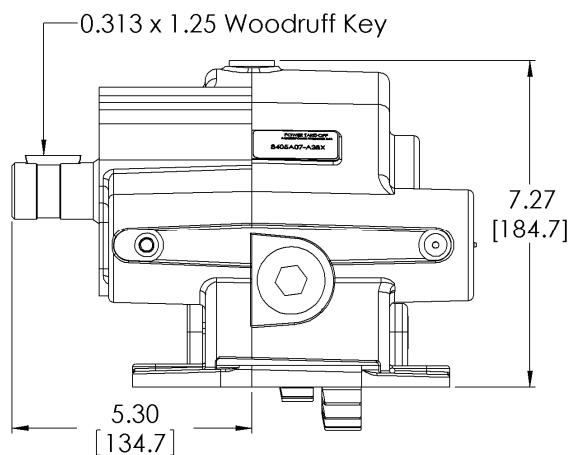
ITEM	QTY	PART NO	DESCRIPTION
Standard Shift Kit 48M61250-A			
1	1	44MB2164	Pipe Nipple
2	1	31M15759	Pressure Protection Valve
3	1	44MB6844	Tube Fitting
4	2	44MB6942	Tube Fitting (Elbow)
5	1	44MB6842	Tube Fitting
6	1	45M44430	Air Tubing 30 Ft. x .250"
7	12'	37M18000	Electrical Wire 18 GA
8	1	33T36299	Fuse Assembly
9	3	34M18002	Butt Splice
10	1	34T38163	Booted Connector
11	1	32M12001	12V Light
12	1	35M18653	Air Valve
13	1	36MA1004	Dash Bracket
14	1	36M01005	Face Plate
15	1	36MK1007	Bolt Kit



8405 Series PTO – Dimensions

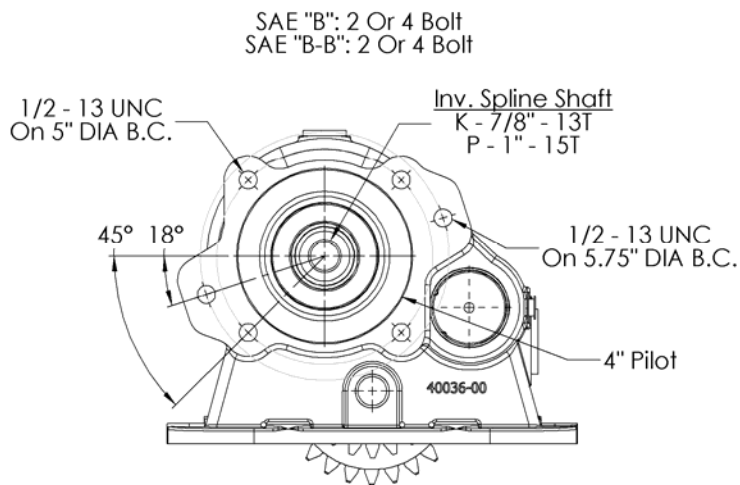
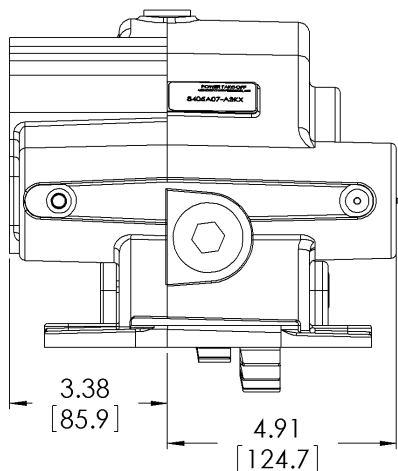
IN INCHES (MM)

“B” Output Option – 1 1/4” Round



“K” Output Option – SAE “B” w/ 7/8” – 13T

“P” Output Option – SAE “B-B” w/ 1” – 15T



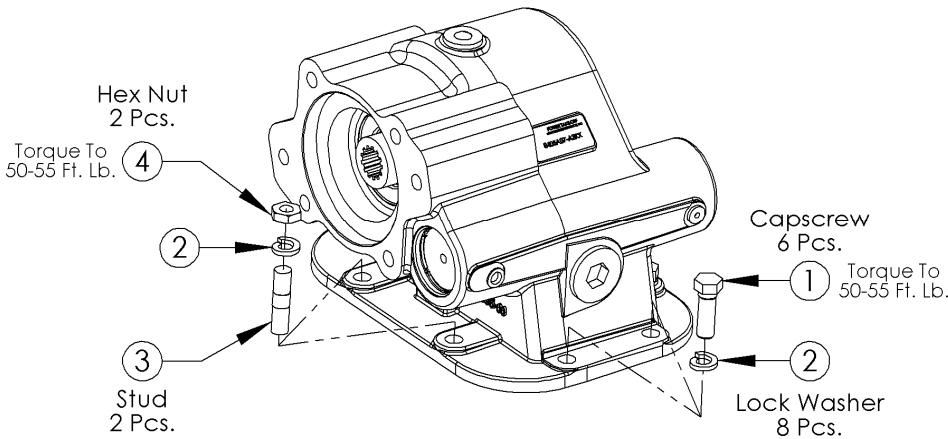
Installation Kits

QTY	PART NO	DESCRIPTION
48TK4965 "A" Shift Kit		
1	30T38111	Indicator Switch
1	20MK8800	Stud Kit
1	36MK3841	Safety Labels
1	52MK1004	Gasket/Instr. Pack

QTY	PART NO	DESCRIPTION
48TK4966 "P" Shift Kit		
1	30T38111	Indicator Switch
1	34T38163	Booted Connector
1	20MK8800	Stud Kit
1	36MK3841	Safety Labels
1	52MK1004	Gasket/Instr. Pack

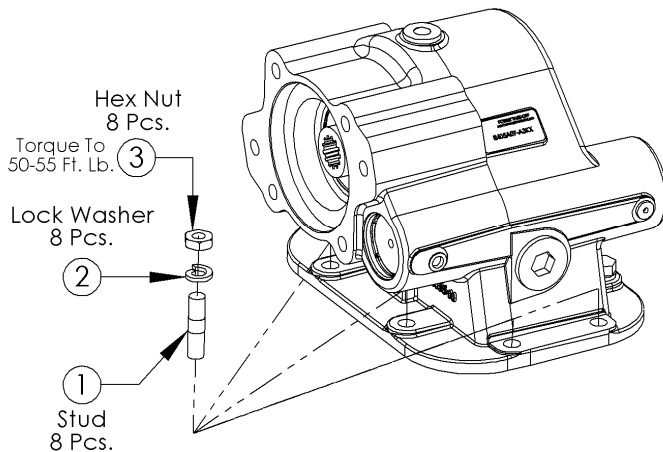
*Less activation kit from the "A" shift option

8405/6A - 20MK8800 Stud Kit



ITEM	QTY	PART NO	DESCRIPTION
20MK8800 Stud Kit - 8405A/8406A			
1	6	19M44138	Capscrew
2	8	21ML4375	Lock Washer
3	2	20M44175	Stud
4	2	22MX4420	Hex Nut

8405/6B - 20MKM801 Stud Kit



ITEM	QTY	PART NO	DESCRIPTION
1	8	20M47050	Stud
2	8	21ML4375	Lock Washer
3	8	22MX4420	Hex Nut



SP10-02 Printed in the U.S.A.
© Muncie Power Products, Inc. 2011

Muncie Power Products, Inc. Member of the Interpump Hydraulics Group
General Offices and Distribution Center • P.O. Box 548 • Muncie, IN 47308-0548
(765)284-7721 • FAX • (765) 284-6991 • E-mail info@munciepower.com
Web site <http://www.munciepower.com>
Drive Products, Exclusive Agents for Canada, ISO Certified by an Accredited Registrar

